



Refurbished RNE 281 with HPP and NHE-H

Radial riveting unit with Process Control HPP-25

Rivet shaft Ø: up to 12 mm | Force: up to 17 kN | Stroke: up to 40 mm

Key features | Content of delivery

Standard version

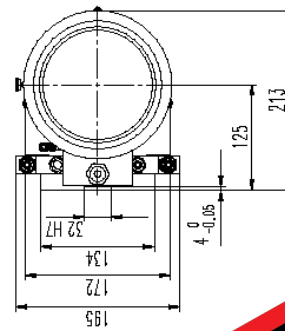
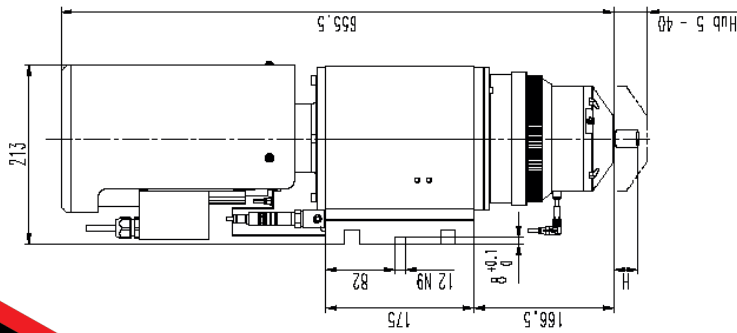
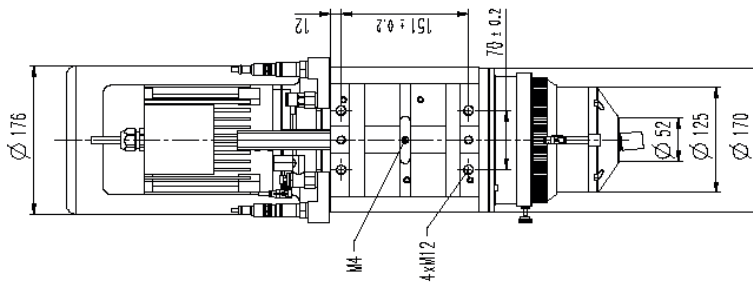
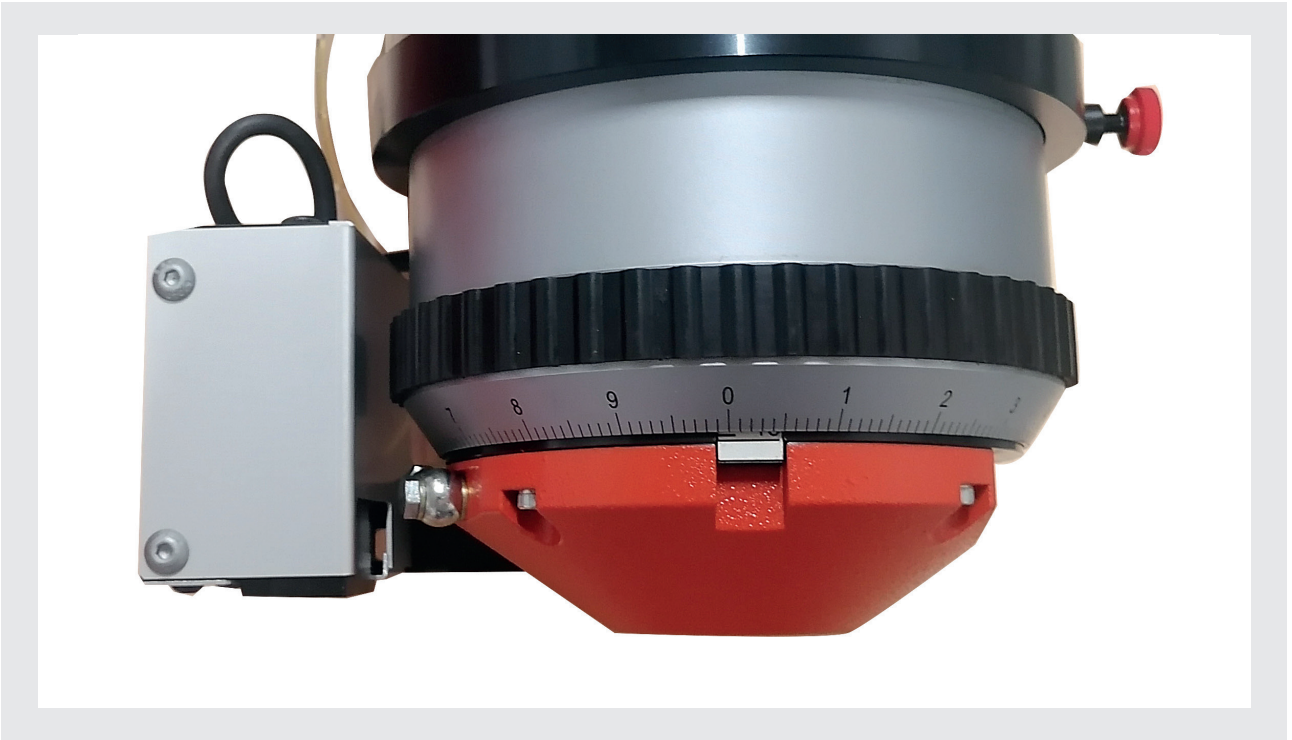
- Nominal force 17 kN @ 6 bar (max. operating pressure)
- Rivet shaft up to Ø 12 mm (Steel 370 N/mm²)
- Spindle stroke 5-40 mm with 0.01 mm micrometer scale and mechanical stroke limit
- Machine weight: approx. 75kg (60 kg without HPP)
- Electro-pneumatic drive – power supply 3 x 400 V, 50 Hz (further power supplies on request)
- Permanently lubricated spindle
- Pressure cup & tool holder for forming tool length (further Rp / Ls on request)

Rp =	116 mm
Ls =	84 mm
- Color: light grey RAL 7035

Including

- HPP-010-281, Process Control HPP-25, connections X1, X2, X3, X20, X21
 - Incl. SEI-100-281, Pressure sensors, Type HPP-25
 - Incl. SEI-100-281, Distance sensor, Type HPP-25
- HPP-X4-02, Connection X4, (only emergency-stop)
- HPP-X6-01, Connection X6, external safety / Reset
- HPP-X9-01, Connection X9, PLC interface with cable, 5m
- HPP-045-03, Sensor cable extension 3 m, full length 4 m
- SEI-OTH-281, Sensor upper spindle position (TDC)
- PNP-HPP-281, Compressed air maintenance unit and pneumatic control package for HPP
- NZ-039, Automatic lubrication with monitoring
- NHE-H incl. lever and touch sleeve on NHE
- Standard accessories and user manual in the language of destination
- Declaration for integration of an incomplete machine

Part No.	Serial No.
RNE 281HPP	281.9470
Manufactured	Date of admission
3.5.2024	15.5.2024



BalTec AG
 Switzerland / Germany
 BalTec (UK) Ltd.
 United Kingdom
 BalTec France
 France
 BalTec Italia S.r.l.
 Italy

BalTec Corporation
 USA / Canada / Mexico
 BalTec do Brasil
 Brazil
 BalTec Machinery (Shanghai) Ltd.
 China
 BalTec Máquinas S. de R.L. de C.V.
 Mexico

BalTec